

## BASE 25 L Full-Motion TV Wall Mount

Article nr 8343325  
Colour Black

### Key benefits

- Strong and Simple: solid, secure solutions to mount your TV
- Smoothly turn your TV up to 120°
- Lock your TV securely in place

### For TVs up to 65 inch ( 165 cm)

BASE 25 L is a durable TV wall mount, suitable for 40 to 65 inch (102 to 165 cm) TVs weighing up to 45 kg (99 lbs).

### Full-motion mount for the best view

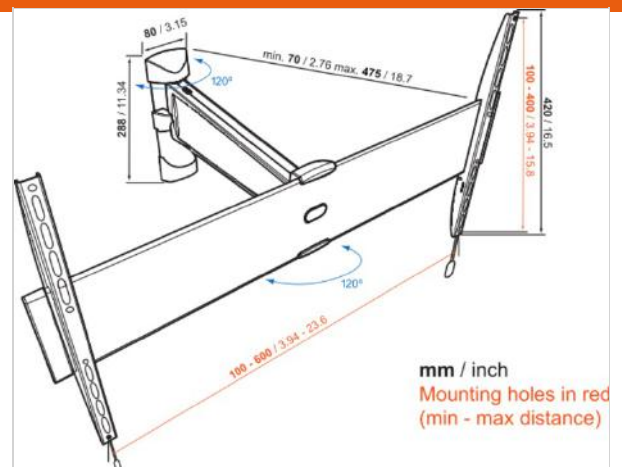
What's better than mounting your TV flush against the wall to save space? Being able to pull it out and turn it up to 60 degrees both ways to get the perfect viewing angle from anywhere in the room. The BASE 25 L is solid, strong and flexible.

### The BASE series: strong and simple

By choosing a BASE series wall mount, you choose a solid, secure solution for mounting your TV on the wall. A sturdy lock release feature clicks your TV safely into the bracket. Mounting the BASE 25 L is easy, as it comes with cleat mounting instructions and all the mounting materials you need.

### Want a great angle from any position?

Need a perfect viewing angle, no matter where you are in the room? Take a look at our wide-angle full-motion TV wall brackets, which turn up to 180°.



# BASE 25 L Full-Motion TV Wall Mount



VOGEL'S HOLDING BV 2017 (c) All rights reserved  
 Subject to printing errors, technical and price  
 amendments  
 Date: 10-03-2017

[www.vogels.com](http://www.vogels.com)

## Specifications

### Product specifications

Product type number	BASE 25 L
Article number (SKU)	8343325
Colour	Black
EAN single box	8712285324345
Product size	L
TÜV certified	Yes
Turn	Up to 120°
Guarantee	Lifetime
Min. screen size (inch)	40 inch
Max. screen size (inch)	65 inch
Max. weight load (kg)	45
Min. hole pattern	100mm x 100mm
Max. hole pattern	600mm x 400mm
Max. bolt size	M8
Max. height of interface (mm)	420
Max. width of interface (mm)	684

### Technical specifications and dimensions

Min. distance to the wall (mm)	70
Max. distance to the wall (mm)	475

### Features

Functionality	Turn
Number of arms	1
Number of pivot points	2

