

BASE 15 L Tilting TV Wall Mount

Article nr 8343315
 Colour Black



Key benefits

- Strong and Simple: solid, secure solutions to mount your TV
- Tilt (up to 15°) to avoid reflections
- Lock your TV securely in place

For TVs up to 65 inch (165 cm)

The BASE 15 L is a durable TV wall mount, suitable for 40 to 65 inch (102 to 165 cm) TVs weighing up to 45 kg (99 lbs).

Tilt your TV for a great viewing angle

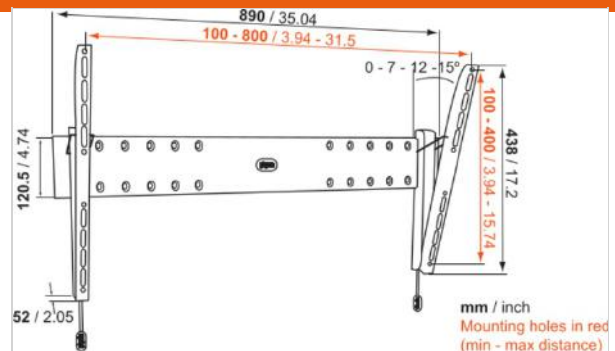
With the BASE 15 L, you can tilt your TV forward up to 15 degrees to get a great viewing angle. That means you can mount your TV higher up on the wall - saving even more space without sacrificing your TV watching experience.

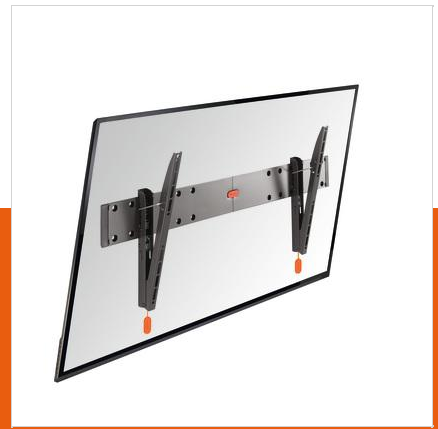
The BASE series: strong and simple

By choosing a BASE series wall mount, you choose a solid, secure solution for mounting your TV on the wall. A sturdy lock release feature clicks your TV safely into the bracket. Mounting the BASE 15 L is easy, as it comes with clear mounting instructions and all the mounting materials you need.

Need to tuck your TV away even further?

Mount it in a corner to save even more space. Check out our full-motion TV wall brackets, perfect for any corner of the room.





BASE 15 L Tilting TV Wall Mount

VOGEL'S HOLDING BV 2017 (c) All rights reserved
 Subject to printing errors, technical and price
 amendments
 Date: 10-03-2017

www.vogels.com

Specifications

Product specifications

Product type number	BASE 15 L
Article number (SKU)	8343315
Colour	Black
EAN single box	8712285324321
Product size	L
TÜV certified	Yes
Tilt	Tilt up to 15°
Guarantee	Lifetime
Min. screen size (inch)	40 inch
Max. screen size (inch)	65 inch
Max. weight load (kg)	45
Min. hole pattern	100mm x 100mm
Max. hole pattern	800mm x 400mm
Max. bolt size	M8
Max. height of interface (mm)	438
Max. width of interface (mm)	889

Technical specifications and dimensions

Min. distance to the wall (mm)	52
--------------------------------	----

Features

Functionality Tilt

